

Encore-18 Linen Cabinet

Specification & Installation Guide

Features

- Free standing linen cabinet 76" (1930mm)H x 18"(458mm)D x 18"(458mm)W
- Furniture grade plywood layered with solid wood veneer and protected with several coats of polyurethane.
- Matching finish inside and out.
- Top cabinet section:
 - One door with soft-close hinges. Available left (L001) or right (R001) hinged.
 - Two adjustable wooden shelves
 - One interior drawer with full extension soft-close hardware
- Bottom cabinet section: Three drawers with full extension soft-close hardware.
- Handle finish options: polished chrome (PC), brushed nickel (BN), polished nickel (PN), matte black (MB) and satin brass (SB).
- Cabinet furnished assembled except for handles that are shipped separately to be field installed.

Package dimension

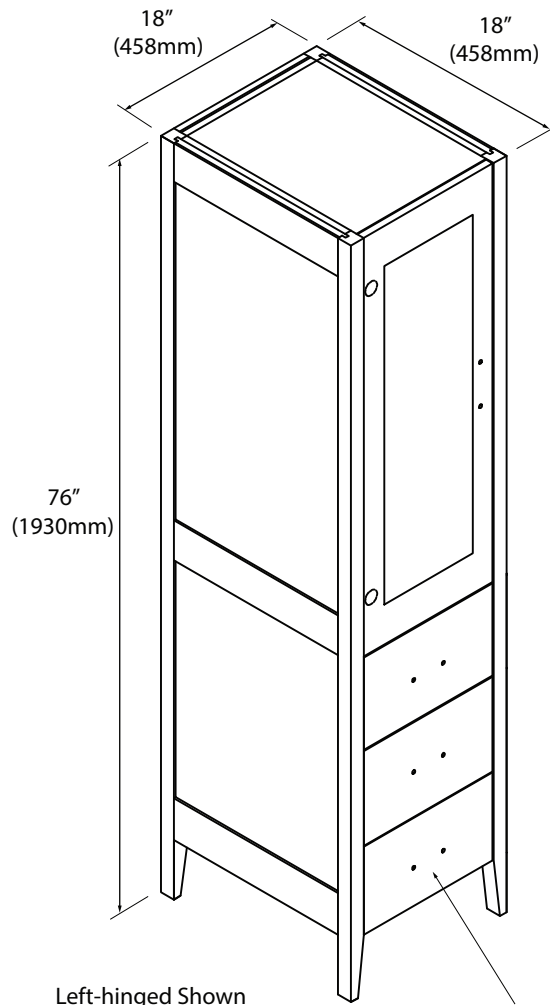
21" x 21" x 78"

Gross weight

100 lbs / 45 kgs

Finishes

- Brandy (BR)
- Matte White (MW)
- Studio Grey (TG)



Handles furnished separately for field installation.
(5" center-to-center pre-drilled holes)



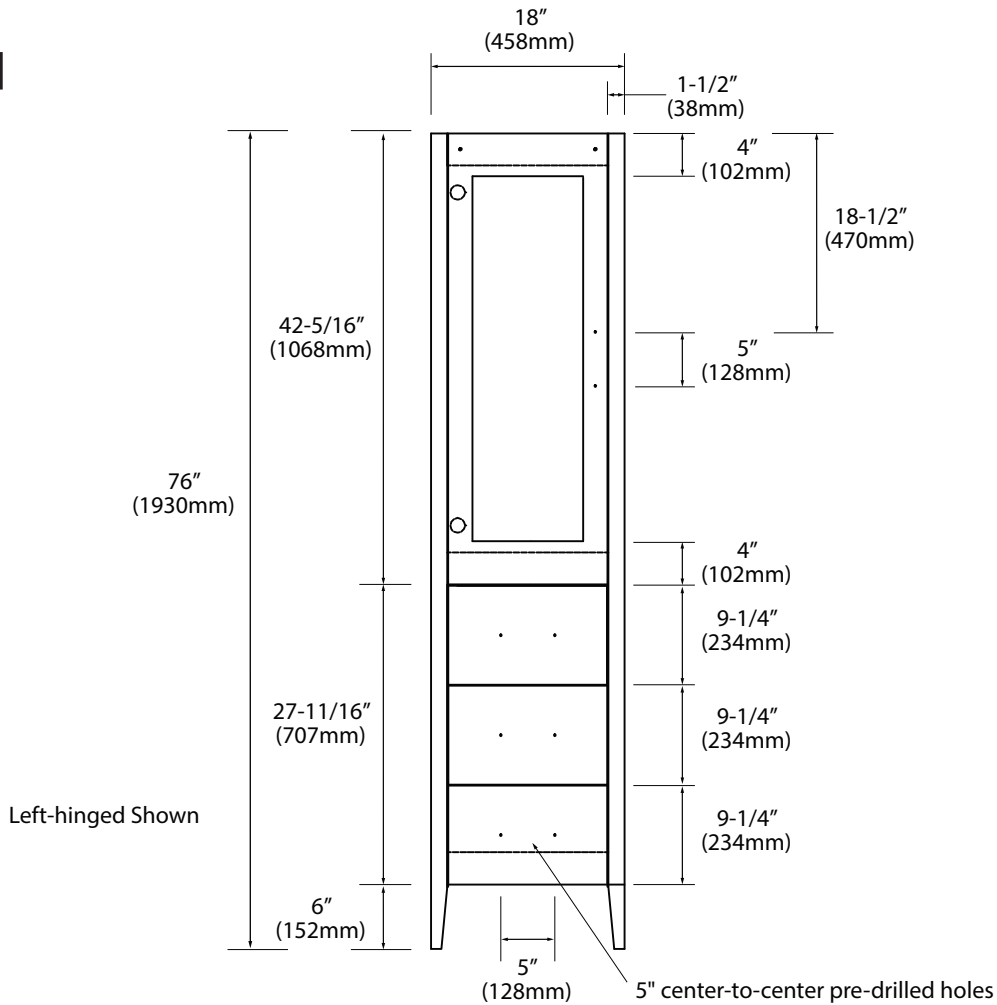
For clarification, please contact Madeli Customer Care at (800)-819-6988 or (305)-718-8817 Ext. 1 or service@madeli.com

All dimensions are approximate and subject to standard tolerance. Specifications subject to change without prior notice.

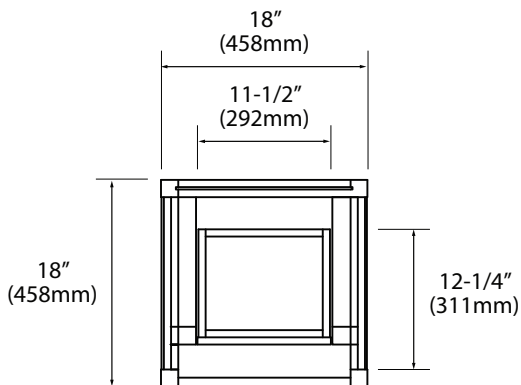
Encore-18 Linen Cabinet

Specification & Installation Guide

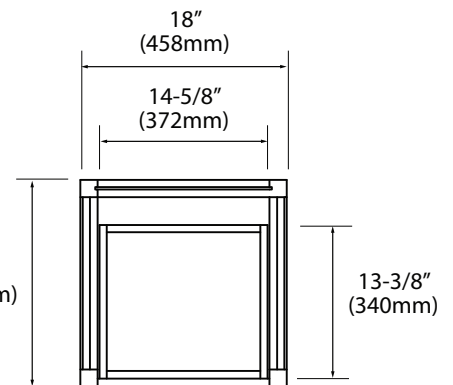
FRONT VIEW



TOP SECTION VIEW



BOTTOM SECTION VIEW



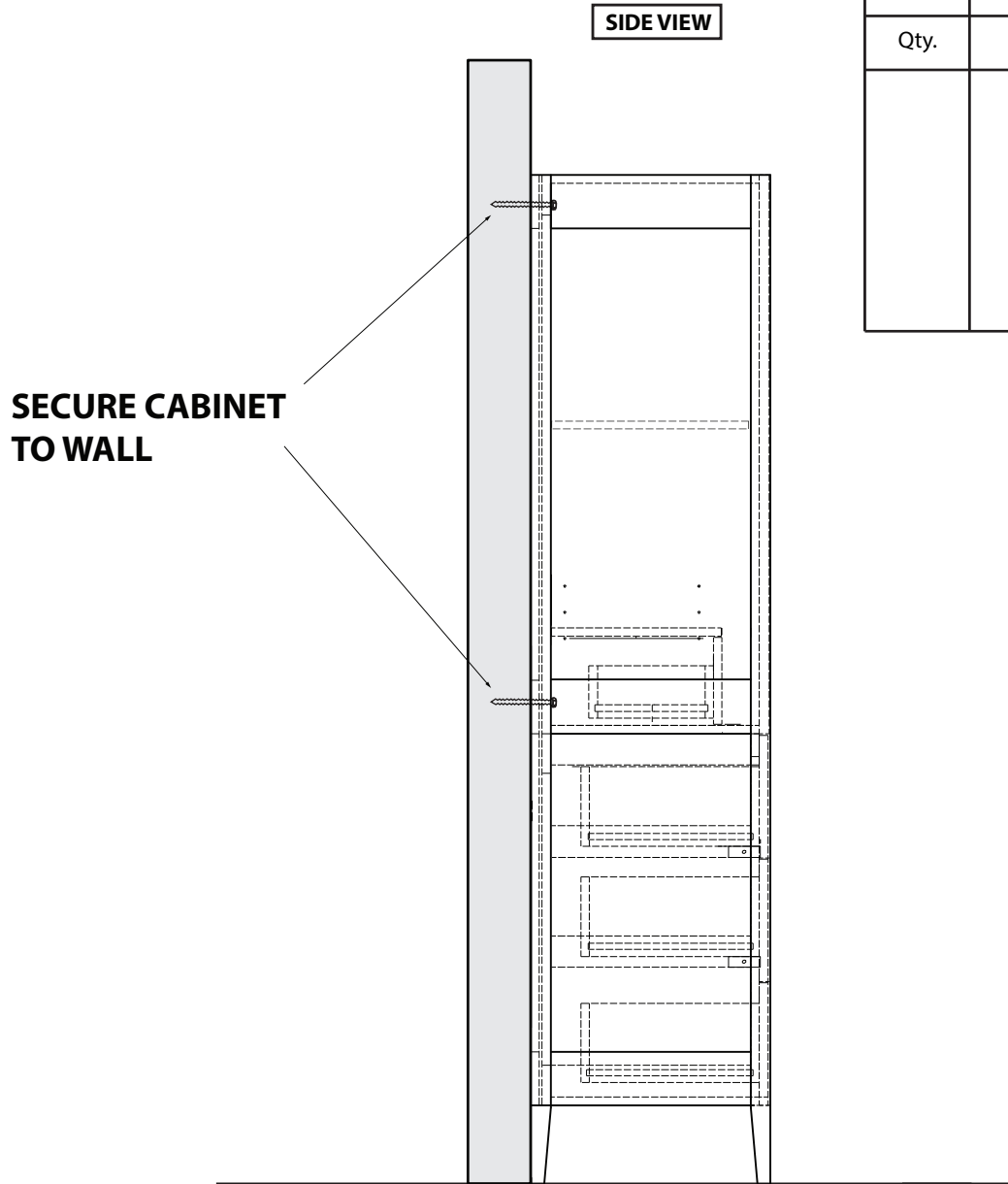
For clarification, please contact Madeli Customer Care at (800)-819-6988 or (305)-718-8817 Ext. 1 or service@madeli.com
 All dimensions are approximate and subject to standard tolerance. Specifications subject to change without prior notice.



Encore-18 Linen Cabinet

Specification & Installation Guide

CABINET PLACEMENT & INSTALLATION

- 1) Level cabinet in position
- 2) Secure cabinet with screws in drywall studs



Item	#10 x 2" Screws	Anchors
Qty.	4	4
		

For clarification, please contact Madeli Customer Care at (800)-819-6988 or (305)-718-8817 Ext. 1 or service@madeli.com
 All dimensions are approximate and subject to standard tolerance. Specifications subject to change without prior notice.